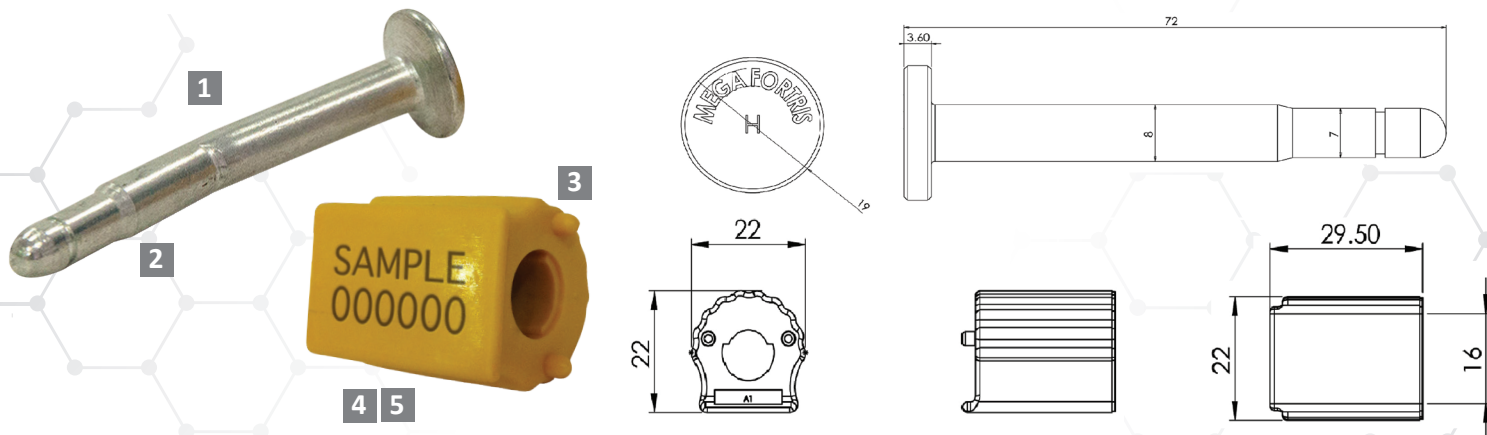




MEGA FORTRIS
G R O U P

High Security Seal · Data Sheet

Container Bolt Lock (CBL)



High Security Container Bolt Seal

Features

- 1 The metallic pin and bush of the Container Bolt Lock is made of high-carbon steel which gives better strength and added security.
- 2 The metallic pin comes with an option of an angled or a straight pin.
- 3 The barrel is made from high-impact ABS, which is moulded on to the high-carbon steel bush.
- 4 The Container Bolt Lock are etched with permanent laser marking. Laser marking offers the highest level of security as it cannot be removed and replaced.
- 5 Standard markings include serial number and customer name/logo. A variation of bar codes can also be marked with laser technology.

Technical Specifications

PRODUCT- CONTAINER BOLT LOCK

Code	Material	Locking Length	Bolt Diameter	Tensile Strength	Marking Area	Max Marking Digits
CBL	Plastic Pin/Barrel : High-carbon steel	52 mm	Ø 8 mm	2900 kgf	Pin : 13 x 25 mm	Serial no : 9
	Pin/Bush : High-impact ABS	(2.05 in)	(0.315 in)	(6393.4 lbf)	Barrel : (0.51 x 0.98 in)	

PACKAGING

Quantity	Dimensions (mm)	Gross Weight kg	Volume m ³	Standard Colours	
Inner Carton	250	300 x 280 x 120 (11.8 x 11.02 x 4.72 in)	15.15 (33.07 lbs)	0.0101 (0.357 cu.ft.)	<div style="display: flex; gap: 5px;"> <div style="border: 1px solid black; width: 20px; height: 10px; background-color: white;"></div> <div style="border: 1px solid black; width: 20px; height: 10px; background-color: red;"></div> <div style="border: 1px solid black; width: 20px; height: 10px; background-color: yellow;"></div> <div style="border: 1px solid black; width: 20px; height: 10px; background-color: green;"></div> <div style="border: 1px solid black; width: 20px; height: 10px; background-color: blue;"></div> </div>



FMM EXCELLENCE AWARD 2012
QUEST FOR CONTINUOUS IMPROVEMENT
BEST MANUFACTURER IN MALAYSIA IN 2012

UPDATED : 1 JUNE 2020