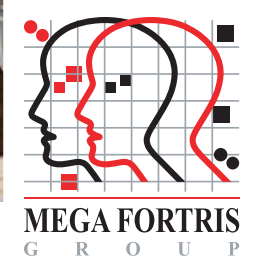


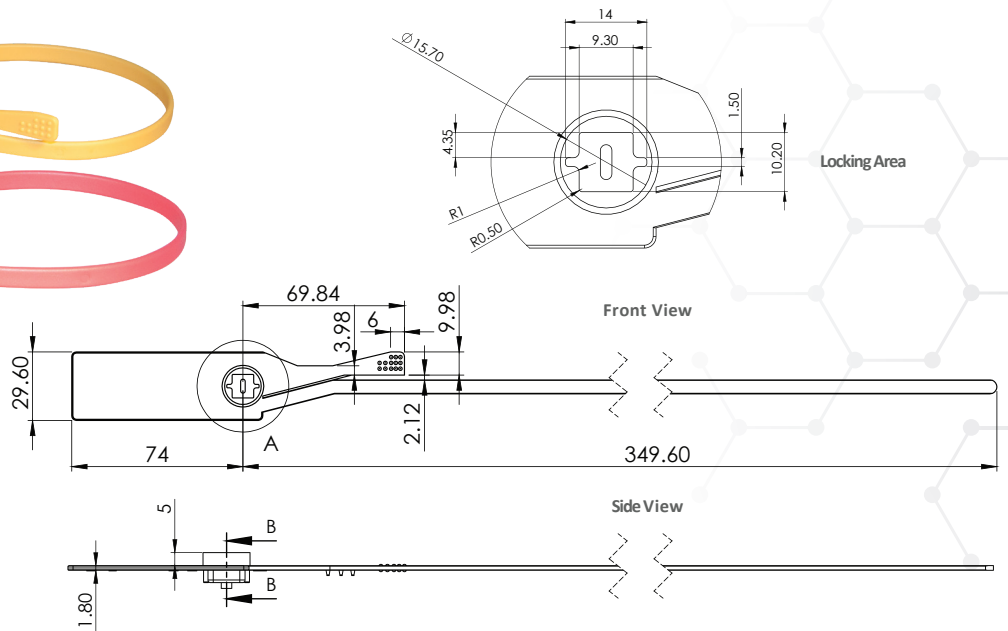
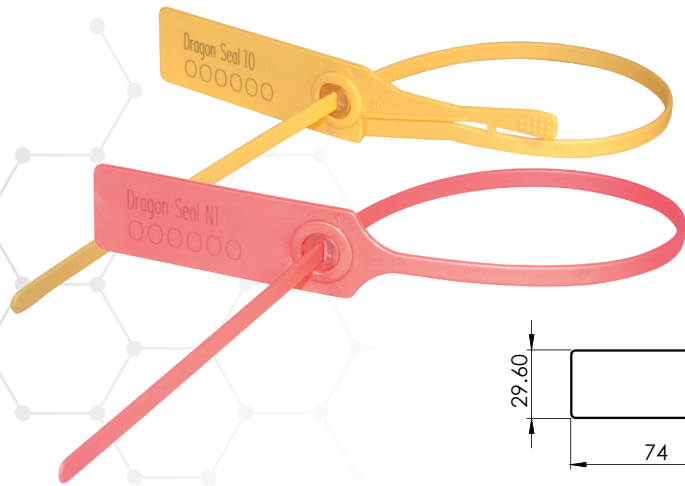


This product available in biodegradable alternatives.



## Indicative Seal · Data Sheet

# Dragon Seal (DS)



## Features

- 1 The Dragon Seal is etched with permanent laser marking. Laser marking offers the highest level of security as it cannot be removed and replaced.
- 2 The large flap area allows ample space for marking.
- 3 The Dragon Seal has a unique stainless steel locking plate that strengthens the locking chamber, which is also highly tamper-evident for improved protection.
- 4 The Dragon Seal comes in two versions — tear off (TO) and non-tear off (NT) — for easy and customised applications based on different customer requirements. The tear off mechanism enables the seal to be removed easily by the user.
- 5 The Dragon Seal is a long, strong and durable seal designed specifically to secure bags and sacks, with embedded spikes to provide a better strapping grip.
- 6 Optional- **Biodegradable** additive can be added upon customers' requirement, securing strap gives the user a choice of strength to match different applications.

## Technical Specifications

### PRODUCT - DRAGON SEAL (DS)

Product	Material	Locking Length	Strap Dimensions	Tensile Strength	Marking Area	Max Marking Digits
<b>DS 34</b>	<b>Body:</b> PP Coated (Option + BIO)	320 mm (12.6 in)	6 x 1.8 mm (0.24 x 0.071 in)	> 42 kg (92.59 lbs)	<b>Flap :</b> 20 x 55 mm (0.787 x 2.16 in)	<b>Serial no :</b> 14
<b>DS 40</b>	<b>Pin:</b> Stainless Steel Metal	380 mm (14.96 in)	6 x 1.8mm (0.24 x 0.071 in)	> 42 kg (92.59 lbs)	<b>Flap :</b> 20 x 55 mm (0.787 x 2.16 in)	<b>Serial no :</b> 14

## PACKAGING

Product	Quantity	Dimensions (mm)	Gross Weight kg	Volume m <sup>3</sup>	Standard Colours						
					Body	RED	BLUE	ORANGE	YELLOW	GREEN	WHITE
Inner Carton											
<b>DS 34</b>	1,000	562 x 362 x 244 (22.1 x 14.3 x 9.61 in)	8.58 (18.92 lbs)	0.0433 (1.5291 cu.ft.)							
<b>DS 40</b>	1,000	562 x 362 x 244 (22.1 x 14.3 x 9.61 in)	9.42 (20.77 lbs)	0.0433 (1.5291 cu.ft.)							

## KEY APPLICATIONS

- ✓ Valve Sealing
- ✓ Retail Applications
- ✓ Fire Extinguishers
- ✓ Logistics
- ✓ Banking



**FMM EXCELLENCE AWARD 2012**  
QUEST FOR CONTINUOUS IMPROVEMENT  
BEST MANUFACTURER IN MALAYSIA IN 2012

UPDATED : 27 JULY 2020