



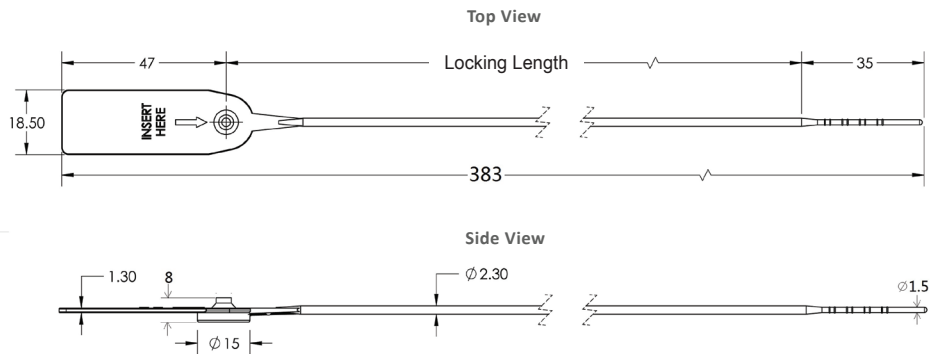
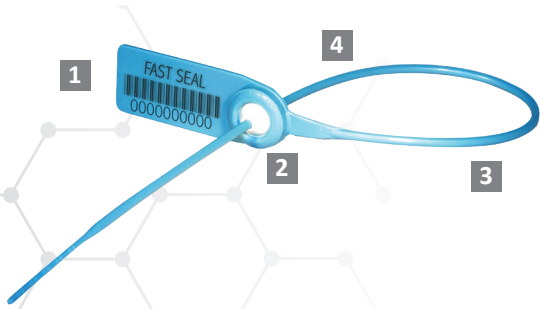
This product available in biodegradable alternatives.



MEGA FORTRIS GROUP

Indicative Round Stem Pull Tight Seal · Data Sheet

Fast Seal (FS)



Indicative Round Stem Pull Tight Seal

Features

- 1** Durable Nylon or PP securing strap gives the user a choice of strength to match different applications.
- 2** Colour coding is made possible by using combinations of white-based seals and different coloured caps.
- 3** Optional- **Biodegradable** additive can be added upon customers' requirement, securing strap gives the user a choice of strength to match different applications.
- 3** The Fast Seals are etched with permanent laser marking. Laser marking offers the highest level of security as it cannot be removed and replaced without tamper evidence.
- 4** The metal clip lock encapsulated by a cap provides greater security and also pull strength despite the thin and flexible strap.

Technical Specifications

PRODUCT - FAST SEAL (FS)

Code	Material	Locking Length	Strap Dimensions	Pull Strength kgf	Marking Area	Max Marking Digits
FS 125	Body: PP coated Bio Plas	125 mm	∅ 2.3 mm	> 16 kgf (PP)	15.0 x 35.0 mm	Serial no: 12
FS 200	Metal Jaw: SS 304	200 mm	∅ 2.3 mm	> 20 kgf (NY)		Barcode no: 12
FS 250	Cap: GPPS	250 mm	∅ 2.3 mm			
FS 300		300 mm	∅ 2.3 mm			

PACKAGING

	Quantity	Dimensions (mm)	Gross Weight kg		Volume m³
Inner Carton					
FS 125	1,000	279 x 225 x 190	2.3 (PP)	2.7 (NY)	0.012
FS 200	1,000	450 x 195 x 165	2.5 (PP)	3.0 (NY)	0.014
FS 250	1,000	450 x 195 x 165	2.6 (PP)	3.2 (NY)	0.014
FS 300	1,000	450 x 195 x 165	3.1 (PP)	3.5 (NY)	0.014
Outer Carton					
FS 125	5,000	986 x 288 x 234	12.4 (PP)	14.2 (NY)	0.066
FS 200	5,000	845 x 465 x 210	13.3 (PP)	15.9 (NY)	0.088
FS 250	5,000	845 x 465 x 210	13.9 (PP)	16.8 (NY)	0.088
FS 300	5,000	845 x 465 x 210	16.7 (PP)	18.5 (NY)	0.088
Standard Pallet					
FS 125	160,000	1200 x 1000 x 2022	473.3 (PP)	504.3 (NY)	2.426
FS 200	100,000	1200 x 1000 x 2010	291.0 (PP)	344.0 (NY)	2.412
FS 250	100,000	1200 x 1000 x 2010	299.0 (PP)	360.0 (NY)	2.412
FS 300	100,000	1200 x 1000 x 2010	333.2 (PP)	395.0 (NY)	2.412

Standard Colours



KEY APPLICATIONS

- ✓ Valve Sealing
- ✓ Retail Applications
- ✓ Fire Extinguishers
- ✓ Logistics
- ✓ Banking



FMM EXCELLENCE AWARD 2012
QUEST FOR CONTINUOUS IMPROVEMENT
BEST MANUFACTURER IN MALAYSIA IN 2012

UPDATED : 28 JULY 2020