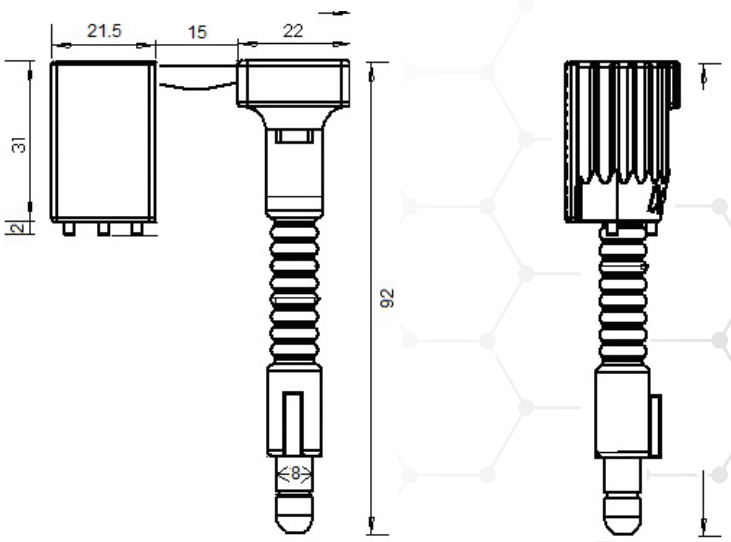


High Security Seal · Data Sheet

# Flexi Klick (FLXK)



## High Security Container Bolt Seal

### Features

- 1 Laser engraved dual numbering on both the pin and bush prevents parts substitution.
- 2 The anti-spin feature protects against friction attacks.
- 3 Compared to a rigid steel bolt seal, the Flexi Klick is safer to cut. The flexibility of the pin eliminates the ricochet or “bullet effect” created when most rigid steel bolt pins are cut by a bolt cutter.
- 4 The flexibility of the pin allows for easy application on container/trailer door latches that have been bent out of shape after years of use.
- 5 The extra long pin of the Flexi Klick makes this seal perfect for truck trailers with roll down door latches that require additional pin length.
- 6 The flexible pin made from galvanized wire provides excellent protection against crude tools such as hammers, crow bars and steel pipes. Upon impact, the pin will bend, not break.
- 7 The seal is designed with an **ISO 17712:2013 Clause 6 compliant** safety feature to trigger indicative tamper evidence – a crack in a designated ‘weak spot’ in the PP Bio Plas material – upon attacking with forced spinning (approx. torque 25-30 kg) while still keeping the seal locked.
- 8 The pin and bush are joined together for easy handling.

### Technical Specifications

#### PRODUCT- FLEXI KLICK

Code	Material	Pin Length	Bolt Diameter	Wire Diameter	Tensile Strength	Marking Area	Max Marking Digits
FLXK	<b>Body :</b> PP Bio-Plas Coated <b>Pin &amp; Bush :</b> Mild Steel Hardened Metal	92 mm (3.622 in)	Ø 11.9 mm (0.469 in)	Ø 5.0 mm (0.197 in)	1300 kgf (2866.01 lbf)	<b>Pin :</b> 5.0 x 17.0 mm <b>Barrel :</b> (0.20 x 0.67 in)	<b>Serial no :</b> 8

#### PACKAGING

Quantity	Dimensions (mm)	Gross Weight kg	Volume m <sup>3</sup>	Standard Colours
Inner Carton	250 400 x 290 x 225 (15.74 x 11.42 x 8.86)	15.01 (33.09 lbs)	0.0261 (0.922 cu.ft.)	<div style="display: flex; gap: 5px;"> <div style="width: 20px; height: 10px; background-color: white; border: 1px solid black;"></div> <div style="width: 20px; height: 10px; background-color: red; border: 1px solid black;"></div> <div style="width: 20px; height: 10px; background-color: orange; border: 1px solid black;"></div> <div style="width: 20px; height: 10px; background-color: yellow; border: 1px solid black;"></div> <div style="width: 20px; height: 10px; background-color: green; border: 1px solid black;"></div> <div style="width: 20px; height: 10px; background-color: blue; border: 1px solid black;"></div> </div>



**FMM EXCELLENCE AWARD 2012**  
QUEST FOR CONTINUOUS IMPROVEMENT  
BEST MANUFACTURER IN MALAYSIA IN 2012

UPDATED : 2 JUNE 2020