



MEGA FORTRIS
G R O U P

INDICATIVE SEAL
FORT TWIN LOCK (FTL)
Pull-Tight Seal

Comprehensive security feature in a compact structure.

Fort Twin Lock is an indicative plastic seal with comprehensive features for security requirements. It has a double locking mechanism with ribs-structured strap to give clear signs of tamper evidence. It is designed with spikes at the back for better gripping. With a body fully made of plastic material, full decomposition is achievable.

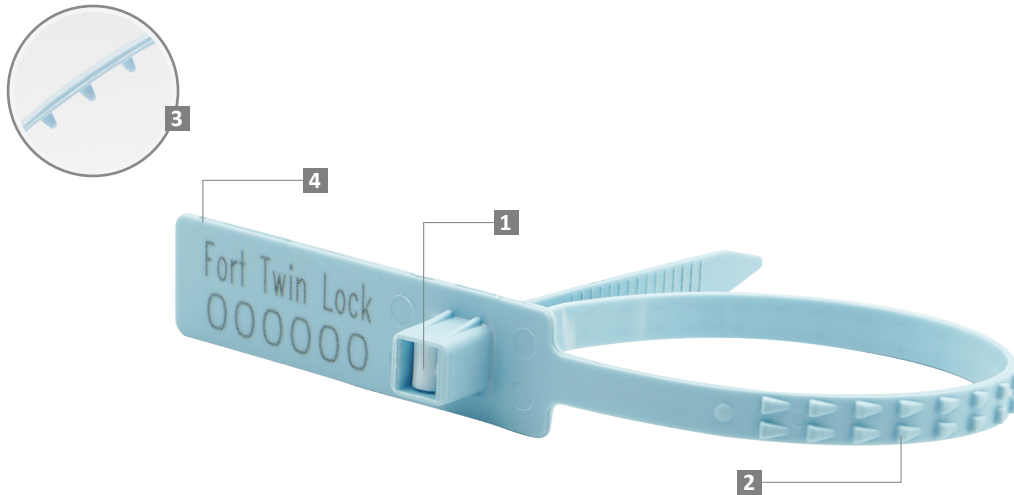
Applications:

- Retail Applications
- Postal Services
- Logistics
- Banking

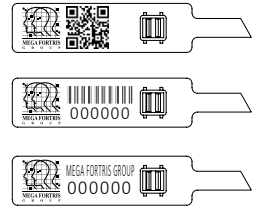


PREVENTION · PROTECTION · PEACE OF MIND





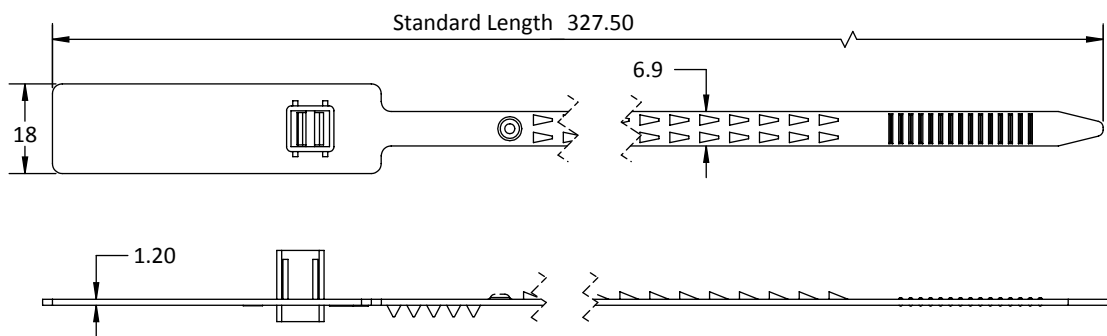
LASER MARKING OPTION



VIEW APPLICATION GIF



- 1 The Fort Twin Lock features a double locking mechanism in its fully Polypropylene (PP) moulded body for added security and durability.
- 2 The locking ribs on the seal provide better grip and stronger endurance during application. Tamper evidence signs are obvious on the strap.
- 3 Spikes are placed behind the seal to provide better grip on the application surface.
- 4 The larger flap allows ample space for identifier marking. Irreversible identifiers such as name, logo, barcode, serial number and QR code are laser-marked on the flap.
- 5 Biodegradable additives for plastic material are available.



TECHNICAL SPECIFICATIONS

PRODUCT - FORT TWIN LOCK (FTL)

Code	Material	Locking Length	Locking Size	Tensile Strength	Marking Area	Max Marking Digits
FTL	Plastic : Polypropylene (PP) Temperature Range: -5°C to 80°C	223 mm (8.8 in)	6.9 mm (0.3 in)	>15 kgf (>33.1 lbf)	14 X 35 mm (0.6 x 1.4 in)	Serial no : 10 Barcode : 8

PACKAGING

Carton	Quantity	Dimensions (mm)	Gross Weight (kg)	Volume (m³)	Standard Pastel Colours
Inner	1000	454 x 234 x 284 (17.9 x 9.2 x 11.2 in)	4.65 (10.3 lb)	0.03 (1.1 cu.ft.)	Body : WH PSYL PSOR PSRD PSBL PSGN For colour customisations, kindly contact us for further information.

Updated Date : 17 August 2021