

**MEGA FORTRIS**  
G R O U P

## **HIGH SECURITY SEAL**

### **KLICHER 2K (KLC 2K)**

Container Bolt Seal

*Two colours for defined visibility.*

Klicker 2K is the world's first two-coloured container bolt seal, patented by Mega Fortris. This seal complies to ISO 17712 and CTPAT with clear evidence of tampering from its innovatively designed anti-spinning pin and barrel.

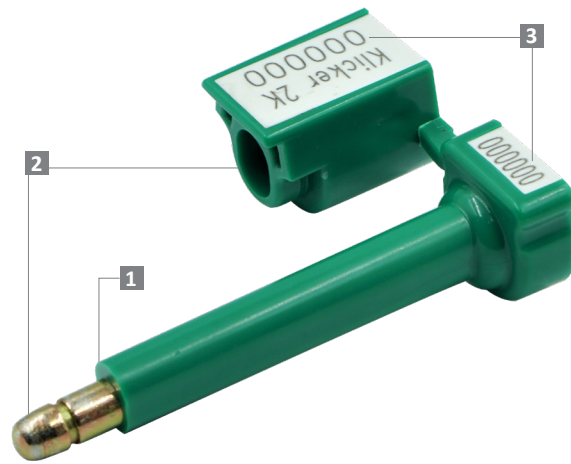
#### **Applications:**

- Containers
- Trucks
- Trailers
- Rail Cars

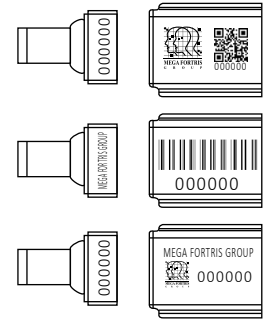


PREVENTION · PROTECTION · PEACE OF MIND





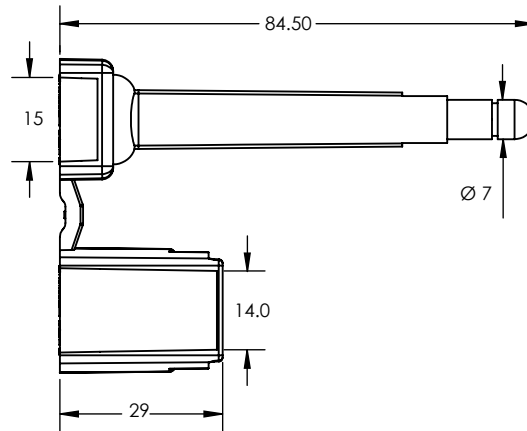
LASER MARKING OPTION



VIEW APPLICATION GIF



- 1 The Klicker 2K comes with an anti-spinning design that the locking mechanism allows only one-way entry and hinders friction from external force.
- 2 Hardened steel pin and bush are moulded in high-impact PP material to form into a durable pin and plastic barrel while withstanding extreme weather conditions of -20°C to 80°C. Pin and barrel are paired engraved for easier handling.
- 3 Irreversible identifiers such as name, logo, barcode, serial number and QR code are laser-marked on the pin and barrel to prevent parts substitution or replacement.
- 4 An optional transparent cover on the barrel further secures the identifier and provides high visibility.
- 5 Two colours on the pin and barrel marking areas provide improved laser marking visibility.
- 6 Biodegradable additives for plastic material are available.
- 7 The seal is designed, tested and certified ISO 17712:2013.



TECHNICAL SPECIFICATIONS

PRODUCT - KLICKER 2K (KLC 2K)

Code	Material	Locking Length	Pin Diameter	Tensile Strength	Marking Area	Max Marking Digits
KLC 2K	Plastic : High-impact Polypropylene (PP) Pin & Bush : Hardened Steel	52 mm (2.0 in)	Ø 7 mm (0.3 in)	≥1000 kgf (≥2204.6 lbf)	Pin: 5 x 12 mm (0.2 x 0.5 in) Barrel: 10 x 24 mm (0.4 x 0.9 in)	Serial no : 8 Barcode : 8

PACKAGING

Carton	Quantity	Dimensions (mm)	Gross Weight (kg)	Volume (m <sup>3</sup> )	Standard Solid Colours
No cover Inner	250	535 x 315 x 141 (21.1 x 12.4 x 5.6 in)	17.2 (37.9 lb)	0.024 (0.8 cu.ft.)	Body : <input type="checkbox"/> WH <input type="checkbox"/> BL <input type="checkbox"/> YL <input type="checkbox"/> GN <input type="checkbox"/> OR <input type="checkbox"/> RD Marking flap : <input type="checkbox"/> WH
Cover Inner	200	508 x 345 x 160 (20.0 x 13.6 x 6.3 in)	19 (41.9 lb)	0.028 (1.0 cu.ft.)	

For colour customisations, kindly contact us for further information.

Updated Date : 17 August 2021