



**MEGA FORTRIS**  
G R O U P

**INDICATIVE SEAL**  
**MEGA HASP PADLOCK (MEHAP)**  
Application Seal

***Visible and vibrant locking insert for versatility and product security.***

Mega Hasp Padlock features a stainless-steel insert for effective locking for different applications. The seal is slim and space-saving, hence ideal for sealing on roughly handled applications. It has a clear body and vibrant colour insert which allow quick inspection of locking and colour coding to ease operation.

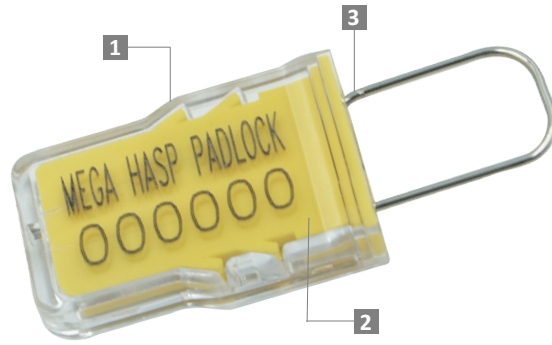
**Applications:**

- Authentication Tagging
- Aircraft Carts
- Retail Applications
- F&B Applications



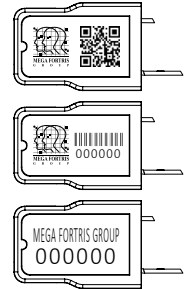
PREVENTION · PROTECTION · PEACE OF MIND



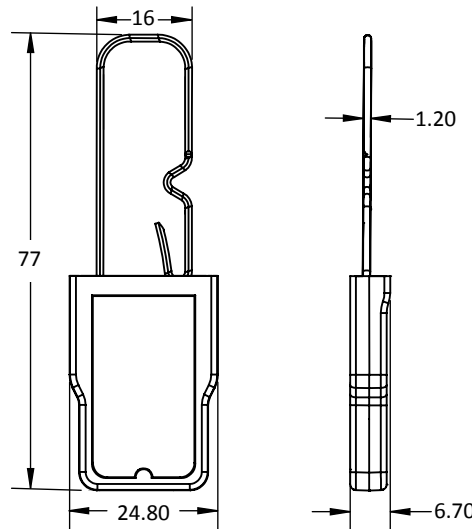


- 1 The Mega Hasp Padlock is moulded with high-impact clear PC plastic material and stainless-steel spring insert to ensure light and durable quality for different applications and clear evidence of tampering.
- 2 A wide range of vibrant pastel colour inserts complement the clear padlock body for inspection and colour coding to ease operation.
- 3 One-way snap-on locking mechanism is embedded for fast and easy application, as well as quick evidence of tampering or removal at the noticeable breaking point.
- 4 Irreversible identifiers such as name, logo, barcode, serial number and QR code are laser-marked on the body.
- 5 Biodegradable additives for plastic material are available.

LASER MARKING OPTION



VIEW APPLICATION GIF



TECHNICAL SPECIFICATIONS

PRODUCT - MEGA HASP PADLOCK (MEHAP)						
Code	Material	Locking Length	Locking Size	Tensile Strength	Marking Area	Max Marking Digits
MEHAP	<b>Plastic :</b> High-impact Polycarbonate (PC) Temperature Range: -20°C to 80°C <b>Spring :</b> Stainless Steel (SUS304)	41 (1.6 in)	13.6 (0.54 in)	>30 kgf (>66.1 lbf)	16 x 24 mm (0.6 x 0.9 in)	<b>Serial no :</b> 9 <b>Barcode :</b> 9

PACKAGING					
Carton	Quantity	Dimensions (mm)	Gross Weight (kg)	Volume (m <sup>3</sup> )	Standard Pastel Colours
Inner	1000	465 x 260 x 190 (18.3 x 10.2 x 7.5 in)	6.2 (13.7 lb)	0.023 (0.812 cu.ft)	Body : <span style="background-color: #ADD8E6; border: 1px solid black; padding: 2px;">TRNS</span> Insert : <span style="background-color: #FFFFFF; border: 1px solid black; padding: 2px;">WH</span> <span style="background-color: #FFD700; border: 1px solid black; padding: 2px;">PSYL</span> <span style="background-color: #FF8C00; border: 1px solid black; padding: 2px;">PSOR</span> <span style="background-color: #FF6347; border: 1px solid black; padding: 2px;">PSRD</span> <span style="background-color: #6495ED; border: 1px solid black; padding: 2px;">PSBL</span> <span style="background-color: #90EE90; border: 1px solid black; padding: 2px;">PSGN</span>

For colour customisations, kindly contact us for further information.

Updated Date : 17 August 2021