

## INDICATIVE SEAL

# SP CASH BAG LABEL TAG SEAL (SPCBS LT)

Pull-Tight Seal

***Unique design for additional tagging and enhanced security.***

SP Cash Bag Label Tag Seal is an advanced design of the SP Cash Bag Seal, which has an additional label tag on the side. This is to allow external tagging or a neat appearance after sealing. The seal has a rigid structure to withstand rough handling and is user-friendly to seal and remove.

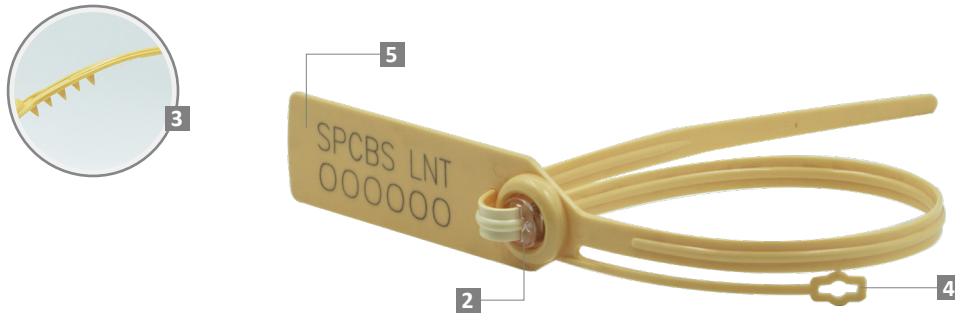
#### Applications:

- Retail Applications
- Postal Services
- Logistics
- Banking



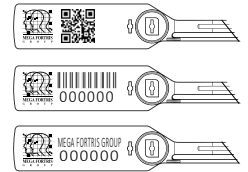
PREVENTION · PROTECTION · PEACE OF MIND



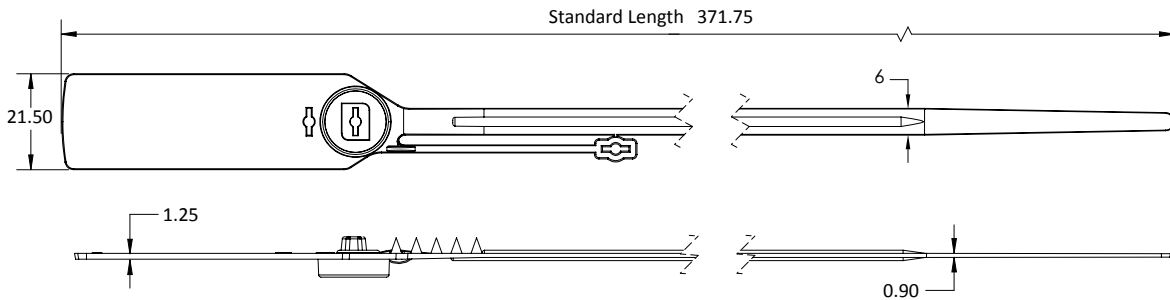


- 1 The SP Cash Bag Label Tag Seal is moulded with high-impact PP or Nylon (NY) material with the metal lock ultrasonically encapsulated for greater security.
- 2 One-way locking mechanism is embedded for fast and easy application.
- 3 Spikes are placed behind the seal to provide better grip on the application surface.
- 4 Label tag on the side allows for additional tagging and better security.
- 5 The larger flap allows ample space for irreversible laser marking of identifiers such as name, logo, barcode, serial number and QR code.
- 6 Biodegradable additives for plastic material are available.

LASER MARKING OPTION



VIEW APPLICATION GIF



TECHNICAL SPECIFICATIONS

PRODUCT - SP CASH BAG LABEL TAG SEAL (SPCBS LT)

Code	Material	Locking Length	Locking Size	Tensile Strength	Marking Area	Max Marking Digits
SPCBS LT	<b>Plastic :</b> Polypropylene (PP) Temperature Range: -5°C to 80°C	245 mm (10 in)	6.0 mm (0.2 in)	<b>PP:</b> >25 kgf (>55.1 lbf) <b>NY:</b> >28 kgf (>61.7 lbf)	18 x 50 mm (0.7 x 2.0 in)	<b>Serial no : 10</b> <b>Barcode : 11</b>
	Nylon (NY) Temperature Range: -20°C to 80°C <b>Metal Jaw :</b> Stainless Steel (SUS 304)					

PACKAGING

Carton	Quantity	Dimensions (mm)	Gross Weight (kg)	Volume (m <sup>3</sup> )	Standard Pastel / Solid Colours
Inner	1000	465 x 260 x 190 (18.3 x 10.2 x 7.5 in)	4.8 (10.58 lb)	0.023 (0.8 cu. ft.)	<b>Polypropylene :</b> Body : WH PSYL PSOR PSRD PSBL PSGN Cap : TRNS WH MILKY (BIO)

**Nylon :**

Body : WH B YL G RD

Cap : TRNS WH MILKY (BIO)

For colour customisations, kindly contact us for further information.

Updated Date : 17 August 2021