



MEGA FORTRIS
G R O U P

HIGH SECURITY SEAL

KLICKEER 2K (KLC 2K)

Container Bolt Seal

Two colours for defined visibility.

Klicker 2K is the world's first two-coloured container bolt seal, patented by Mega Fortris. This seal complies to ISO 17712 and CTPAT with clear evidence of tampering from its innovatively designed anti-spinning pin and barrel.

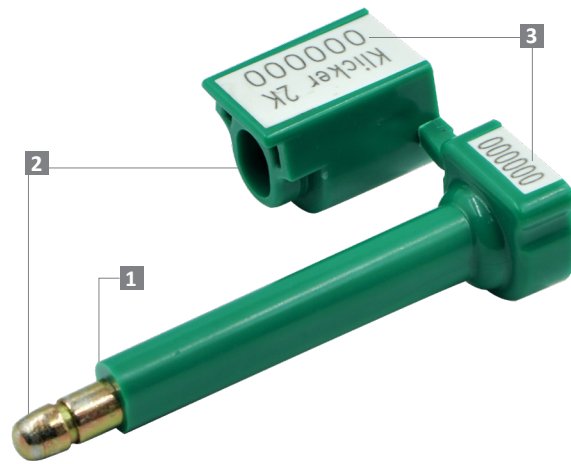
Applications:

- Containers
- Trucks
- Trailers
- Rail Cars



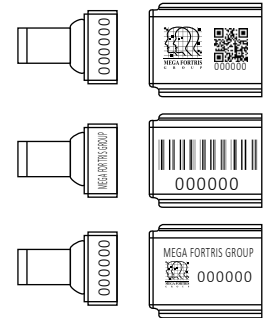
PREVENTION · PROTECTION · PEACE OF MIND



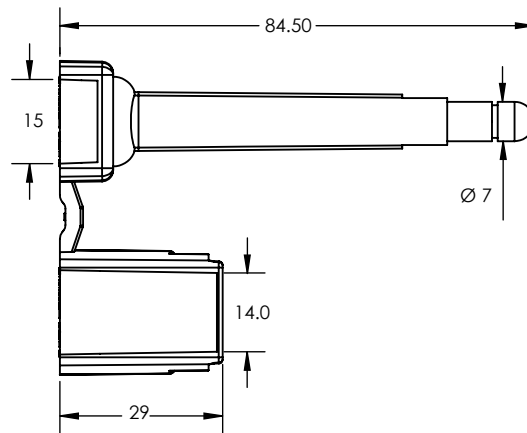


- 1** The Klicker 2K comes with an anti-spinning design that the locking mechanism allows only one-way entry and hinders friction from external force.
- 2** Hardened steel pin and bush are moulded in high-impact PP material to form into a durable pin and plastic barrel while withstanding extreme weather conditions of -20°C to 80°C. Pin and barrel are paired engraved for easier handling.
- 3** Irreversible identifiers such as name, logo, barcode, serial number and QR code are laser-marked on the pin and barrel to prevent parts substitution or replacement.
- 4** An optional transparent cover on the barrel further secures the identifier and provides high visibility.
- 5** Two colours on the pin and barrel marking areas provide improved laser marking visibility.
- 6** Biodegradable additives for plastic material are available.
- 7** The seal is designed, tested and certified ISO 17712:2013.

LASER MARKING OPTION



VIEW APPLICATION GIF



TECHNICAL SPECIFICATIONS

PRODUCT - KLICKER 2K (KLC 2K)

| Code | Material | Locking Length | Pin Diameter | Tensile Strength | Marking Area | Max Marking Digits |
|---------------|---|-------------------|--------------------|----------------------------|--|--|
| KLC 2K | Plastic : High-impact Polypropylene (PP) Pin & Bush : Hardened Steel | 52 mm (2.0 in) | Ø 7 mm (0.3 in) | ≥1000 kgf (≥2204.6 lbf) | Pin: 5 x 12 mm (0.2 x 0.5 in) Barrel: 10 x 24 mm (0.4 x 0.9 in) | Serial no : 8 Barcode : 8 |

PACKAGING

| Carton | Quantit | Dimensions (mm) | Gross Weight (kg) | Volume (m ³) | Standard Solid Colours |
|--------------------------|---------|---|-------------------|--------------------------|------------------------------------|
| No cover Inner | 250 | 505 x 337 x 141 (19.8 x 13.3 x 5.6 in) | 17.2 (37.9 lb) | 0.024 (0.8 cu.ft.) | Body : WH BL YL GN OR RD BK |
| Cover Inner | | 508 x 345 x 160 (20.0 x 13.6 x 6.3 in) | 19 (41.9 lb) | 0.028 (1.0 cu.ft.) | Marking flap : WH |

For colour customisations, kindly contact us for further information.

Updated Date : 19 June 2023