

**SECURE**



**MEGA FORTRIS**  
G R O U P

System : 3 phase 4 wire  
Voltage : 3 x 230/400V  
Current : 3 x 10 - 100A  
Frequency : 50Hz  
Test LED  
800 Pulses/Unit

kWh Cl. 1.0  
kVArh Cl. 2.0

## INDICATIVE SEAL

# MEGA TWISTER CLICK (MTC)

### Application Seal

#### *Two-way locking in one body for an all-inclusive security.*

The Mega Twister Click is an innovatively designed utility seal with two locking mechanisms in one body. This specialty allows a thorough sealing and security, along with a large marking flap for identifiers. The seal is small in size and versatile for any securing and identifying purposes.

#### Applications:

- Utility Meters & Scales
- Chemical and Oil Refinery
- Transportation
- Banking



PREVENTION · PROTECTION · PEACE OF MIND

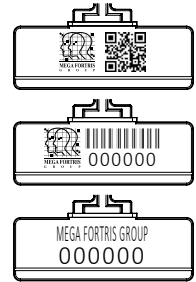


MEGA TWISTER CLICK  
000000

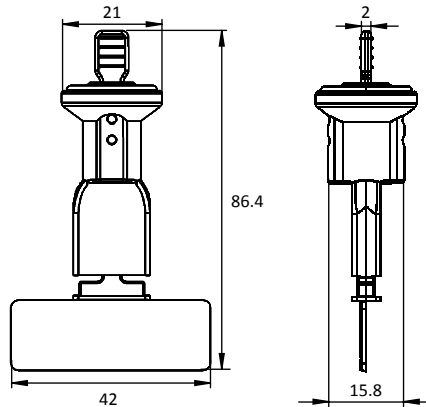


- 1 The Mega Twister Click is moulded with a twister locking insert and white cap ultrasonically and heat staking welded in a plastic transparent body for a clear view of the locking and evidence of tampering.
- 2 Stainless steel wire is required for the twister locking to achieve tight securing on the latches while the snap-on locking mechanism alternates as a quick sealing feature.
- 3 A large marking area on the snap-on locking flap allows for irreversible laser marking of identifiers such as name, logo, barcode, serial number and QR code.
- 4 Colour coding is possible with a combination of clear plastic body and vibrant colour insert, which is available in a wide range of choices.
- 5 Biodegradable additives for plastic material are available.

LASER MARKING OPTION



VIEW APPLICATION GIF



TECHNICAL SPECIFICATIONS

PRODUCT - MEGA TWISTER CLICK (MTC)

| Code | Material  | Locking Length     | Locking Size          | Tensile Strength     | Marking Area                    | Max Marking Digits                           |
|------|---|--------------------|-----------------------|----------------------|---------------------------------|--|
| MTC  | <b>Plastic :</b><br>Polycarbonate (PC)<br>Temperature Range:<br>-40°C to 85°C<br><b>Plastic (Insert) :</b><br>Acetal (POM)<br>Temperature Range:<br>-40°C to 120°C<br><b>Cable :</b><br>Plastic-coated<br>Stainless Steel 304 (SUS 304)<br><b>Marking Flap :</b><br>ABS | 250 mm<br>(9.8 in) | ∅ 0.8 mm<br>(0.03 in) | >30 kgf<br>(>66 lbf) | 14.8 x 42 mm<br>(0.58 x 1.7 in) | <b>Serial no : 13</b><br><b>Barcode : 13</b> |

PACKAGING

| Carton | Quantit | Dimensions (mm)                              | Gross Weight (kg) | Volume (m³)            | Standard Colours                               |   |
|--------|---------|--|-------------------|------------------------|--|---|
| Inner  | 500     | 465 x 260 x 190 mm<br>(18.3 x 10.2 x 7.5 mm) | 6.2<br>(13.7 lb)  | 0.023<br>(0.812 cu.ft) | Body : <span>TRNS</span> Cap : <span>WH</span> | Insert : <span>WH</span> <span>YL</span> <span>OR</span> <span>GN</span> <span>RD</span> <span>BL</span><br><span>BK</span> |

For colour customisations, kindly contact us for further information.

Updated Date : 20 June 2023