

MD DISPLAY



MEGA FORTRIS
G R O U P

INDICATIVE SEAL
METER SEAL (MTR)
Application Seal

Double locking in one for versatility and comprehensive security.

Meter Seal is an innovatively designed utility seal with two locking mechanisms in one body; cutting pliers is required for removal. The seal is durable and small in size for any meter sealing and identifying purposes.

Applications:

- Utility Meters & Scales
- Chemical and Oil Refinery
- Transportation
- Banking



PREVENTION · PROTECTION · PEACE OF MIND





LASER MARKING OPTION

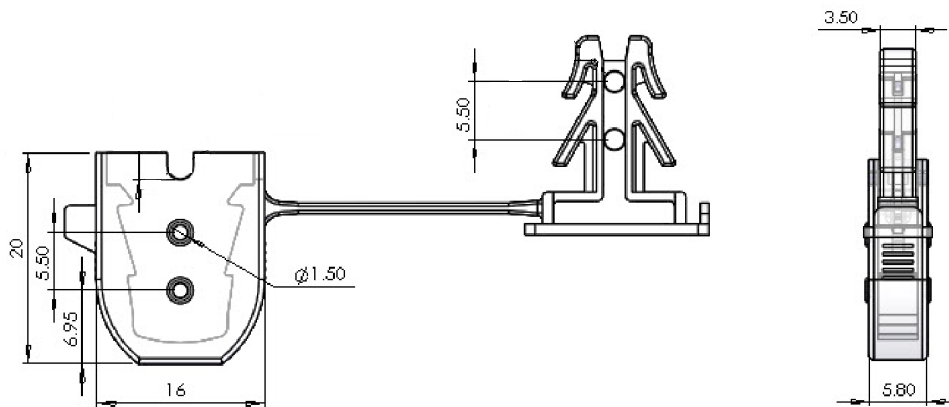


MEGA FORTRIS GROUP
000000

VIEW APPLICATION GIF



- 1 The Meter Seal is moulded with PC material for a transparent body to allow a clear view of the locking and evidence of tampering.
- 2 Stainless steel wire is required for sealing, along an additional snap-on locking mechanism to further secure the sealing.
- 3 A cutting plier is required for removal.
- 4 Irreversible identifiers such as name, logo, and serial number are laser-marked on the body.
- 5 Colour coding is possible with a wide range of colour choices for the body.
- 6 Biodegradable additives for plastic material are available.



TECHNICAL SPECIFICATIONS

PRODUCT - METER SEAL (MTR)						
Code	Material	Locking Length	Locking Size	Tensile Strength	Marking Area	Max Marking Digits
MTR	Plastic body: Polycarbonate (PC) Temperature range: -40°C to 85°C Cable: Plastic-coated Stainless Steel 304 (SUS 304)	20 mm (0.79 in)	20 x 16 mm (0.79 x 0.63 in)	≤ 5 kgf (11.0 lbf)	11 x 12 mm (0.43 x 0.47 in)	Serial no : 6

PACKAGING						
Carton	Quantit	Dimensions (mm)	Gross Weight (kg)	Volume (m ³)	Standard Colours	
Inner	1000	338 x 255 x 190 mm (13.3 x 10 x 7.5 in)	2 (4.4 lb)	0.016 (0.565 cu. ft.)	Body : WH PSYL PSOR PSRD PSBL PSGN BK	

For colour customisations, kindly contact us for further information.

Updated Date : 23 June 2022