



MEGA FORTRIS
G R O U P

SECURITY SEAL

Meter Valve Cable Breakaway (MVCB)

Pull-Tight Barrier Seal

Economical and feasible seal for security.

The Meter Valve Cable Breakaway features a hardened metal special shear bolt locking mechanism where its shaft will break when it is tightened to secure the asset and authentication tagging. It is highly affordable without compromising the security ability. The design is simple and light for any security application.

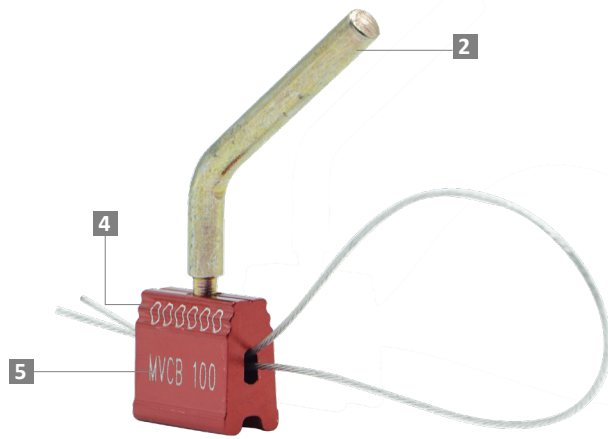
Applications:

- Retail Applications
- Chemical and Oil Refinery
- Warehousing and Logistics
- Banking

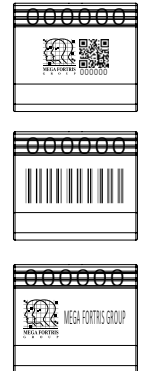


PREVENTION · PROTECTION · PEACE OF MIND

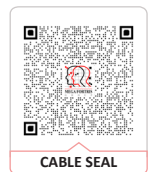




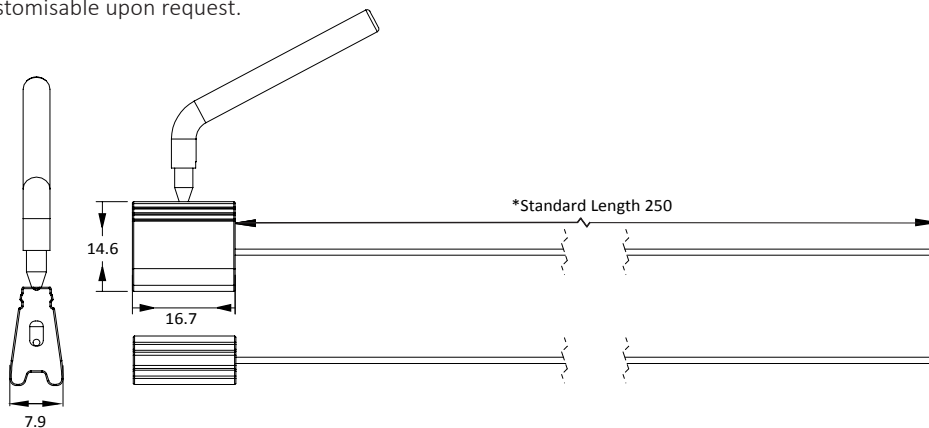
LASER MARKING OPTION



VIEW APPLICATION GIF



- 1 The Meter Valve Cable Breakaway 100 is designed to guarantee security while being cost-effective.
- 2 The external locking mechanism of this seal consists of a shear bolt that breaks away when the cable is tightly secured in the body.
- 3 The non-preformed galvanised steel wire unravels upon cutting, hence showing clear evidence of tampering.
- 4 The rib exterior is designed to protect laser marking during rough handling with anodisation of solid colour for colour coding.
- 5 Irreversible identifiers such as name, logo, barcode, serial number and QR code are laser-marked on the aluminium body.
- 6 Wire length is customisable upon request.



TECHNICAL SPECIFICATIONS

*Customisable cable length upon request.

PRODUCT - METER VALVE CABLE BREAKAWAY (MVCB)

Code	Material	Locking Length	Locking Size	Tensile Strength	Marking Area	Max Marking Digits
MVCB	Body : Aluminium Cable : Galvanised Steel Wire	250 mm (9.8 in)	2 x 3.7 mm (0.08 X 0.15 in)	>100 kgf (220.5 lbf)	11 x 12 mm (0.43 x 0.47 in)	Serial no : 6

PACKAGING

Carton	Quantity	Dimensions (mm)	Gross Weight (kg)	Volume (m ³)	Standard Colours
Inner	3000	450 x 250 x 135 (15.8 x 9.8 x 5.3 in)	30 (66.1 lb)	0.015 (0.5 cu.ft.)	Body : G R B BK GD SC

For colour customisations, kindly contact us for further information.

Carton size and weight vary according to cable length. Figures shown in the table are for the standard cable length packaging. Please contact us for additional details.

Updated Date : 20 June 2023