

INDICATIVE SEAL

Mickey Mouse Seal (MMS)

Application Seal

Ample security feature with delicate design for space saving security.

MM Seal is a tamper-evident clip box seal delicately designed with space saving and all-inclusive security features. The seal is suitable for security bags installed with a specific chamber for enhanced security. It has a special breaking point for quick removal and to show clear evidence of tampering.

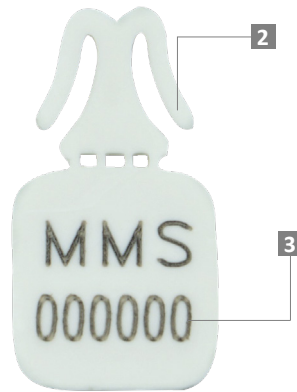
Applications:

- Authentication Tagging
- Evidence Securing
- Retail Applications
- Banking



PREVENTION · PROTECTION · PEACE OF MIND





LASER MARKING OPTION



MEGA FORTRIS GROUP
000000

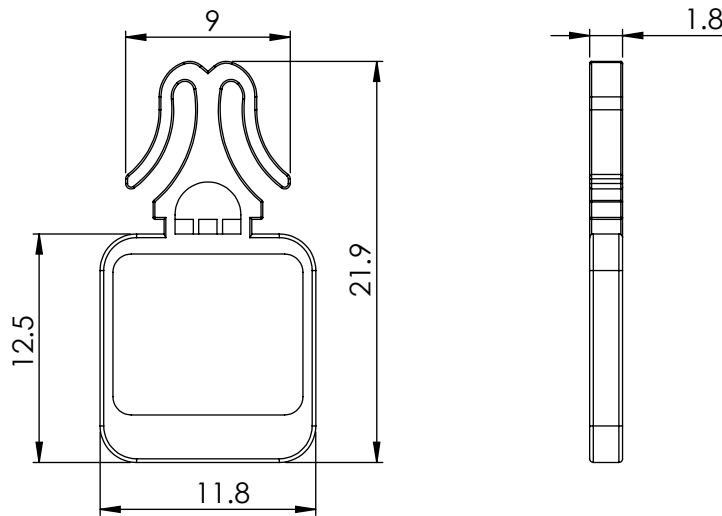
VIEW APPLICATION GIF



PLASTIC UTILITIES SEAL



- 1 The MM Seal is moulded with high-impact ABS material with a grip at the end for quick detection of breaking point and easy removal with clear evidence of tampering.
- 2 One-way snap-on locking mechanism of this seal allows for quick and tight sealing, as well as evidence of tampering or removal.
- 3 Irreversible identifiers such as name, logo, serial number and QR code are laser-marked on the body.
- 4 Colour coding is possible with a wide range of pastel colour options available for the seal.
- 5 Biodegradable additives for plastic material are available.



TECHNICAL SPECIFICATIONS

PRODUCT - MM SEAL (MMS)

Code	Material	Locking Length	Locking Size	Tensile Strength	Marking Area	Max Marking Digits
MMS	Plastic High-impact Acrylonitrile Butadiene Styrene (ABS)	9 mm (0.36 in)	9 x 1.8 mm (0.4 x 0.07 in)	≤ 5 kgf	8 X 9 mm (0.31 x 0.35 in)	Serial no : 6

PACKAGING

Carton	Quantit	Dimensions (mm)	Gross Weight (kg)	Volume (m ³)	Standard Pastel Colours
Inner	1000	125 x 125 x 50 (4.9 x 4.9 x 2 in)	0.3 (0.7 lb)	0.008 (0.283 cu. ft.)	Body : WH PSYL PSOR PSRD PSBL PSGN BK

For colour customisations, kindly contact us for further information.

Updated Date : 20 June 2023