



**MEGA FORTRIS**  
G R O U P

## SECURITY SEAL

# MINI CABLE LOCK PREMIUM 180 (MCLP 180) & MINI CABLE LOCK PREMIUM 180 2K (MCLP 180 2K)

Pull-Tight Barrier Seal

***All-inclusive premium seal for security requirements.***

Mini Cable Lock Premium 180 is delicately designed with various tamper-evident features. Its advanced version, the Mini Cable Lock Premium 180 2K, is moulded with Mega Fortris' patented two-colour body for improved visibility and to deter tampering attacks. This is the best choice for both identification and security purposes.

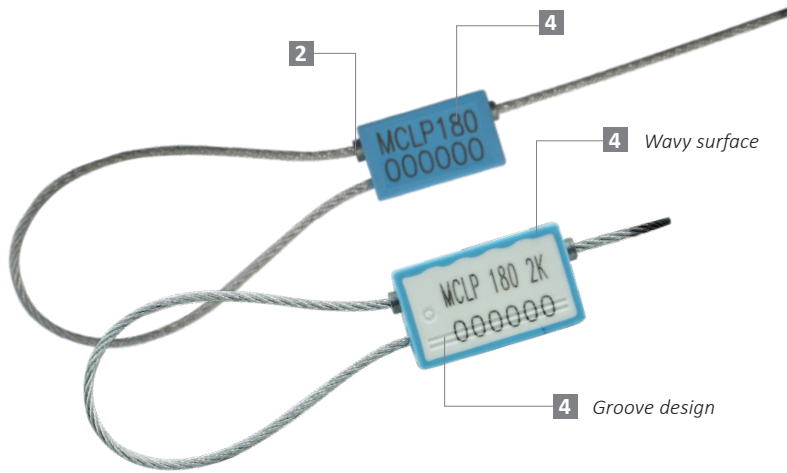
### Applications:

- Valve Sealing
- Retail Applications
- Logistics
- Banking

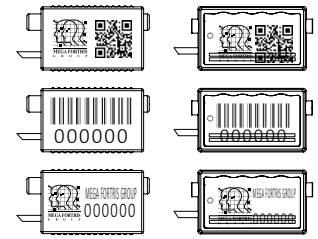


PREVENTION · PROTECTION · PEACE OF MIND





LASER MARKING OPTION

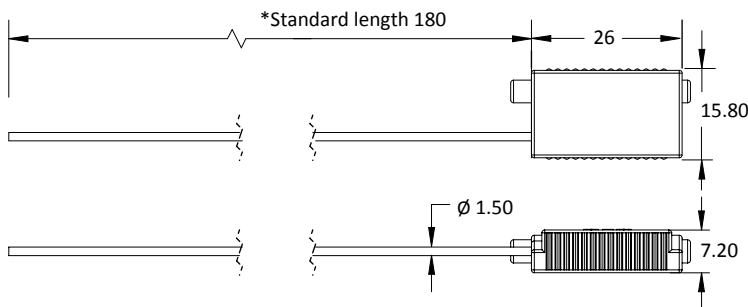


VIEW APPLICATION GIF

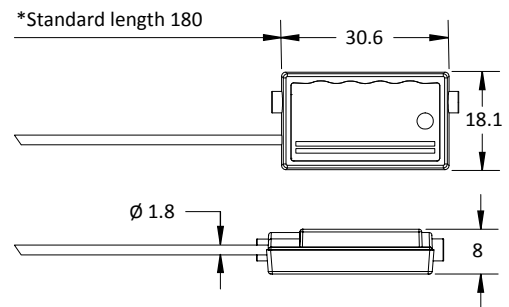


- 1 The Mini Cable Lock Premium 180 and Mini Cable Lock Premium 180 2K are moulded in PP material with non-preformed galvanised steel wire to show clear evidence of tampering.
- 2 One-way locking mechanism is embedded for fast and easy application. The additional tips at both ends provide greater protection. Mini Cable Lock Premium 2K has a grooved design and features an irregular pattern on the body to prevent tampering and give clear evidence of tampering on the identifier.
- 3 Default rigid body allows for durable usage of the seal while the additional colour on the 2K body improves definition of laser markings, visibility, and identification.
- 4 Irreversible identifiers such as name, logo, barcode, serial number and QR code are laser-marked on the body.
- 5 Biodegradable additives for plastic material are available.
- 6 Plastic material can withstand extreme weather conditions of -20°C to 80°C.

MCLP 180



MCLP 180 2K



\*Customisable cable length upon request.

TECHNICAL SPECIFICATIONS

PRODUCT - MINI CABLE LOCK PREMIUM 180 (MCLP 180) & MINI CABLE LOCK PREMIUM 180 2K (MCLP 180 2K)

Code	Material	Cable Length	Cable Diameter	Tensile Strength	Marking Area	Max Marking Digits
MCLP 180	Body : Zinc Plastic : Polypropylene (PP)	180 mm (7.1 mm)	Ø 1.8 mm (0.1 in)	≥250 kgf (≥551.2 lbf)	12 x 22 mm (0.5 x 0.9 in)	Serial no : 8 Barcode : 7
MCLP 180 2K	Locking Component : Hardened Steel Cable : Galvanised Steel Wire				10 x 19 mm (0.4 x 0.7 in)	Serial no : 10 Barcode : 8

PACKAGING

Carton	Quantit	Dimensions (mm)	Gross Weight (kg)	Volume (m <sup>3</sup> )	Standard Pastel Colours
MCLP 180 Inner	500	300 x 280 x 120 (11.8 x 11.0 x 4.7 in)	5.50 (12.1 lbs)	0.010 (0.4 cu.ft.)	Body : WH, PSYL, PSOR, PSRD, PSBL, PSGN, BK
MCLP 180 2K Inner			6.25 (13.8 lbs)		Marking flap : WH MCLP 180 2K

Carton size and weight vary according to cable length. Figures shown in the table are for the standard cable length packaging. Please contact us for additional details.

For colour customisations, kindly contact us for further information.

Updated Date : 20 June 2023