

MD DISPLAY



MEGA FORTRIS
G R O U P

INDICATIVE SEAL

MEGA TWISTER (MTW)

MEGA TWISTER TACHOGRAPH (MTW-T)

Application Seal

Fundamental and feasible piece for quick utility security.

The Mega Twister & Mega Twister Tachograph is an elementary utility seal designed with essential tamper-evident features. The seal has a transparent body for quick inspection of the twister insert sealing. Colour coded inserts and ample identifier marking area eases operations. The seal is small in size and versatile for any securing and identifying purposes.

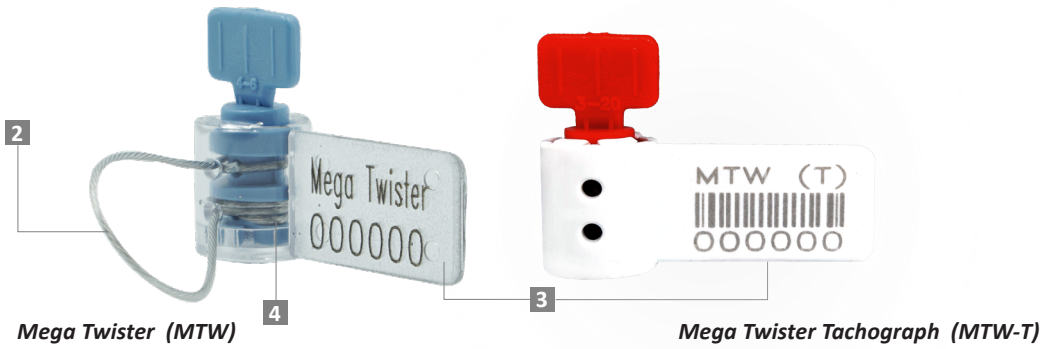
Applications:

- Utility Meters & Scales
- Chemical and Oil Refinery
- Transportation
- Banking
- Tachographs



PREVENTION · PROTECTION · PEACE OF MIND



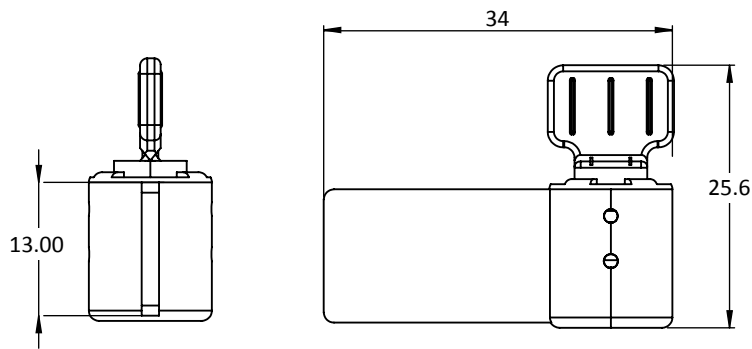


- 1 The Mega Twister is moulded with a twister locking insert in a plastic transparent body for a clear view of the locking and evidence of tampering.
- 2 Stainless steel wire is required for the twister locking to achieve quick and tight securing of the seals.
- 3 A marking area flap is placed on the side for irreversible laser marking of identifiers such as name, logo, serial number and QR code.
- 4 Colour coding is possible with a combination of clear plastic body and vibrant colour insert, which is available in a wide range of choices.
- 5 Biodegradable additives for plastic material are available.
- 6 Mega Twister Tachograph, EN16882 certified for use in tachograph environments.

LASER MARKING OPTION



VIEW APPLICATION GIF



TECHNICAL SPECIFICATIONS

PRODUCT - MEGA TWISTER (MTW) & MEGA TWISTER TACHOGRAPH (MTW-T)

Code	Material	Locking Length	Locking Size	Tensile Strength	Marking Area	Max Marking Digits
MTW	Plastic body: Polycarbonate (PC) Temperature range: -40°C to 85°C Plastic insert: Acetal Temperature range: -40°C to 120°C Cable: Plastic-coated Stainless Steel 304 (SUS 304)	250 mm (9.8 in)	∅2.5 mm (0.03 in)	>30 kgf (>66 lbf)	13 mm x 22 mm (0.5 in x 0.9 in)	Serial no : 6 Barcoder : 6
MTW-T	Plastic body: Acetal Temperature range: -40°C to 120°C					

PACKAGING

Carton	Quantity	Dimensions (mm)	Gross Weight (kg)	Volume (m ³)	Standard Colours
Inner MTW	500 with twisted wire	255 x 205 x 145 mm (10 x 8.1 x 5.7 in)	2.5 (5.5 lb)	0.008 (0.283 cu. ft.)	MTW Body : TRNS MTW-T Body : WH BK
Inner MTW-T	1000 w/o twisted wire				Insert : WH YL OR GN RD BL BK

For colour customisations, kindly contact us for further information.

Updated Date : 3 August 2023